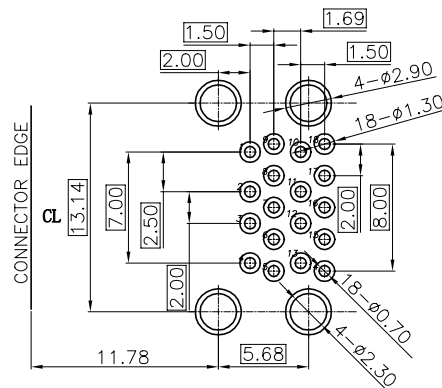
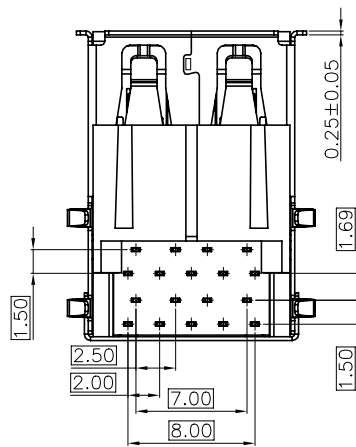
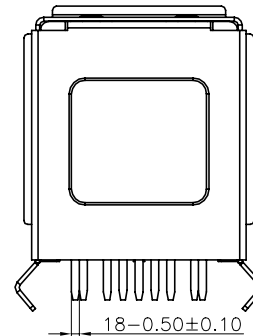
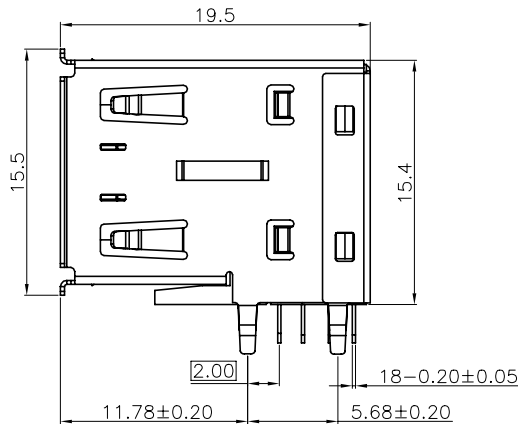
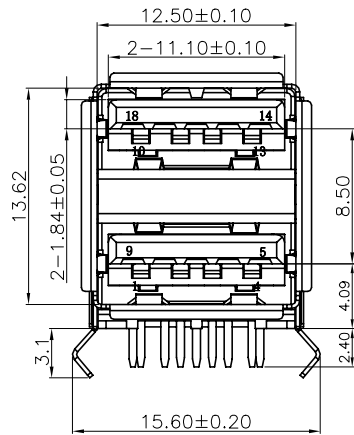


DATE CODE



RECOMMENDED PCB LAYOUT (COMPONENT SIDE)  
(TOLERANCE: ±0.05)

NOTES:

1.MATERIAL:

- 1.1 HOUSING: SEE TABLE
- 1.2 CONTACTS: SEE TABLE
- 1.3 SHELL: SEE TABLE
- 1.4 REAR SHELL: SEE TABLE
- 1.5 SPRING: SEE TABLE

2.FINISH:

- 2.1 CONTACT: SEE P/N
- 2.2 SHELL: SEE TABLE
- 2.3 REAR SHELL: SEE TABLE
- 2.4 SPRING: SEE TABLE

3.THE CONNECTOR IS RoHS COMPLIANT.

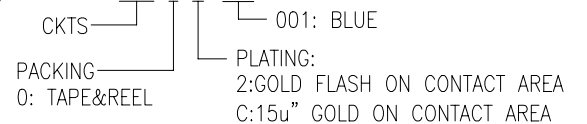
4.DATE CODE: XXXXXX



5.SPEC. PLS. REFER TO PS-50925-XXXX-XXX

6.PACKAGE PLS. REFER TO 30145-XXXX-XXX-PCK

7.P/N: 30145-018 X X-XXX



E	SPRING	1	STAINLESS STEEL T=0.25	60u" MIN. NICKEL PLATED
D	REAR SHELL	1	STAINLESS STEEL T=0.25	60u" MIN. NICKEL PLATED
C	SHELL	1	STAINLESS STEEL T=0.25	60u" MIN. NICKEL PLATED
B	TERMINAL	18	PHOSPHOR BRONZE T=0.20	50u" MIN. NICKEL UNDERPLATED CONTACT AREA: SEE P/N SOLDER AREA: 120u" MIN. MATTE TIN PLATED
A	HOUSING	1	LCP+G.F	UL 94V=0, COLOR: SEE P/N
NO	DESCRIPTION	Q'TY	MATERIAL	PLATING & COLOR

PIN ASSIGNMENTS

Pin #	SIGNAL NAME
1/10	VBUS
2/11	D-
3/12	D+
4/13	GND
5/14	StdA_SSRX-
6/15	StdA_SSRX+
7/16	GND_DRAIN
8/17	StdA_SSTX-
9/18	StdA_SSTX+
Shell	Shield

QUALITY SYMBOLS

MAJOR Ⓜ  
CRITICAL Ⓢ

GENERAL TOLERANCES  
(UNLESS SPECIFIED)

X. ±0.5  
.X ±0.25  
.XX ±0.15  
.XXX ±0.1  
ANGLES ±2°

DRAWN BY	DATE
LIAO WAN TING	'19/11/18
CHECKED BY	DATE
TENG CHANG HO	'19/11/18
APPROVED BY	DATE
KUO JUNG HSUN	'19/11/18



USB3.0 DUAL STACK A TYPE  
T/H R/A TYPE

UNITS	SIZE	RFG NO.
mm	A4	N/A
SCALE	SHEET NO.	REV
X:X	1 OF 1	C
DWG NO.	30145-XXXX-XXX	